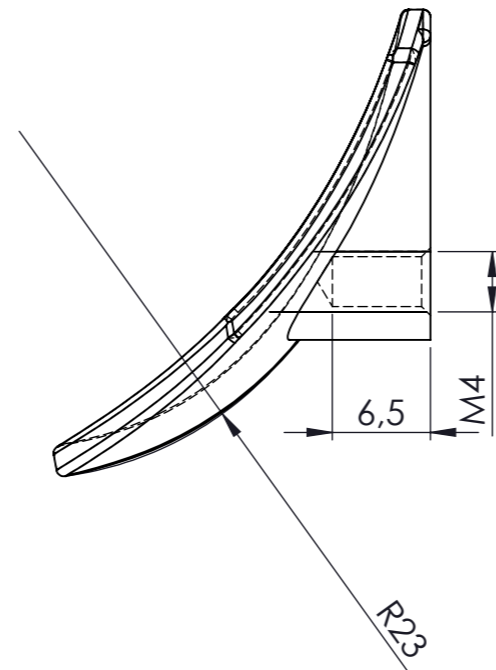
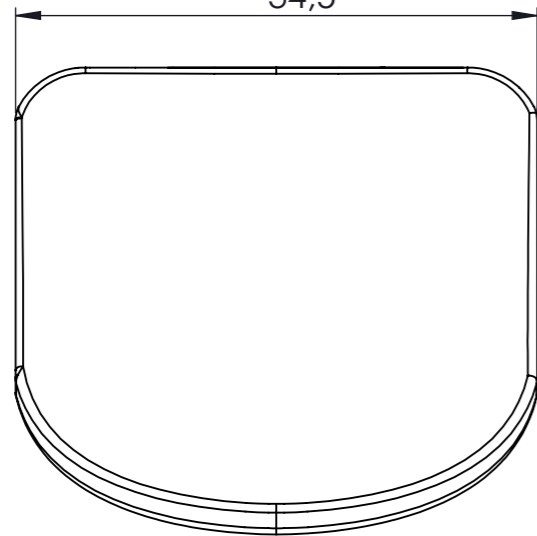


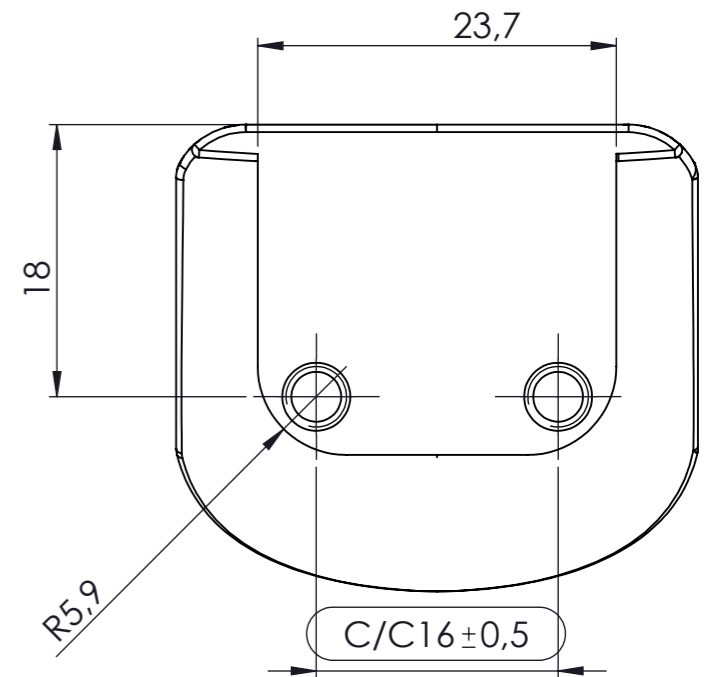
34,5



6,5

M4

R23

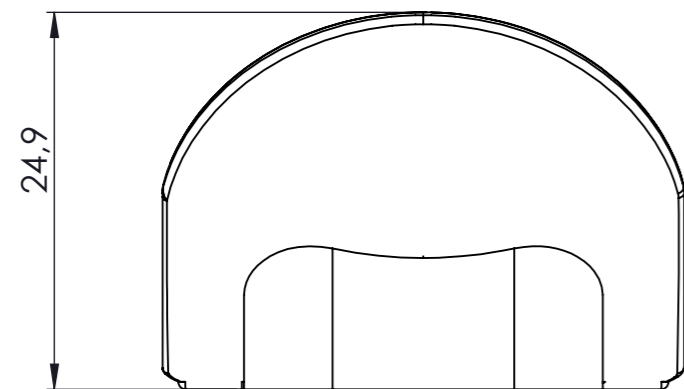


23,7

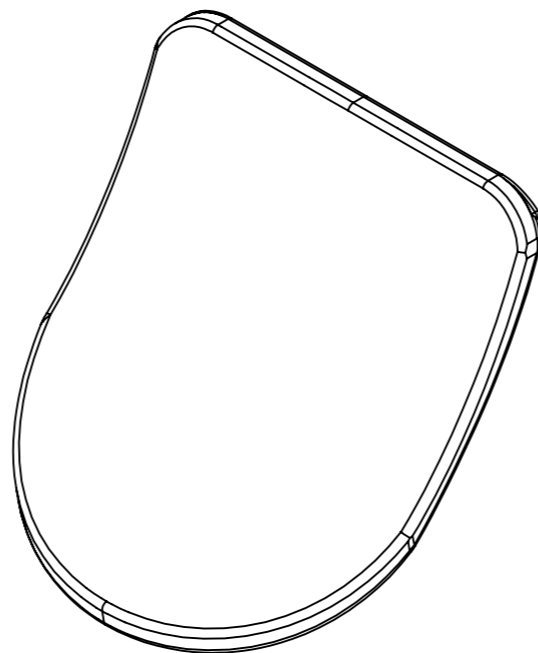
18

C/C16 ± 0,5

R5,9



24,9



Part name: SLOPE	Projection: 	Sheet format: A3	Tolerance unless otherwise specified DS/ISO 2768-1M																				
Designer: Kaschkasch	Drawn by: MCH 13-11-2020	Scale: 2:1	<table border="1"> <tr> <td>Linear dimensions:</td> <td>0-3</td> <td>3-6</td> <td>6-30</td> <td>30-120</td> <td>120-400</td> <td>400-1000</td> <td>1000-</td> </tr> <tr> <td></td> <td>±0,1</td> <td>±0,1</td> <td>±0,2</td> <td>±0,3</td> <td>±0,5</td> <td>±0,8</td> <td>±1,2</td> </tr> </table>		Linear dimensions:	0-3	3-6	6-30	30-120	120-400	400-1000	1000-		±0,1	±0,1	±0,2	±0,3	±0,5	±0,8	±1,2			
Linear dimensions:	0-3	3-6	6-30	30-120	120-400	400-1000	1000-																
	±0,1	±0,1	±0,2	±0,3	±0,5	±0,8	±1,2																
Part no.: 550320016	Material: Zinc	Sheet 1 of 1	Weight:	<table border="1"> <tr> <td>Angle</td> <td>±0,5°</td> <td>Radius</td> <td>±5%</td> </tr> </table>	Angle	±0,5°	Radius	±5%															
Angle	±0,5°	Radius	±5%																				
<table border="1"> <tr> <th>Rev.:</th> <th>Date:</th> <th>Name:</th> <th>Description:</th> </tr> <tr> <td>A</td> <td>13-11-2020</td> <td>MCH</td> <td>changed acording to sample</td> </tr> <tr> <td> </td> <td> </td> <td> </td> <td> </td> </tr> <tr> <td> </td> <td> </td> <td> </td> <td> </td> </tr> <tr> <td> </td> <td> </td> <td> </td> <td> </td> </tr> </table>		Rev.:	Date:	Name:	Description:	A	13-11-2020	MCH	changed acording to sample													<p>furnipart[®]</p> <p>Delta 2 Phone: +45 87 64 35 00 DK-8382 Hinnerup E-mail: fp@furnipart.com</p>	
Rev.:	Date:	Name:	Description:																				
A	13-11-2020	MCH	changed acording to sample																				
COPYRIGHT: THIS DRAWING MAY NOT BE COPIED OR REPRODUCED IN ANY WAY WITHOUT DIRECT PERMISSION FROM FURNIPART A/S																							